

SPECIFICATIONS:

Product codes:	
MONO-A0089	White base and black whip
MONO-A0089-01	Painted to match DF antenna
Electrical:	
Frequency range	9 kHz – 200 MHz
Nominal input impedance	50 Ω
Feed power handling	0.5 W (receive only)
Polarisation	Vertical
Grounding	DC ground with gas arrestor for discharge protection
Internal connectors	SMA (m) on cable
Groundplane requirements	Groundplane dependent
Mechanical:	
Height	700 mm
Height with whip removed	43 mm
Mass	300 g
Mounting	Directly to grounding structure or DF-A0029/95 antenna with supplied bolts
Environmental: designed to meet the following specifications	
Wind survival	160 km/h
Temperature range	-30 °C to +70°C
Water ingress rating	IP65

PRODUCT FEATURES:

- Wideband receiving whip
- Removable whip antenna for storage
- Protected against lightning and ESD

APPLICATION:

- Wideband monitoring using DF-A0029 or DF-A0095

PRODUCT DESCRIPTION:

The MONO-A0089 is an HF whip designed for monitoring applications in the 9 kHz – 200 MHz frequency band.

The whip is loaded along its length to control the elevation pattern of the antenna for optimal gain performance on the horizon. The whip is detachable for storage and transport.

The MONO-A0089 antenna is well suited for the DF-A0029 and DF-A0095 antennas, where it is utilised to improve monitoring sensitivity. Every DF-A0029 and DF-A0095 is already fitted with the necessary internal cables and connectors; this whip antenna is simply connected and bolted on in place of the lifting eye plate.

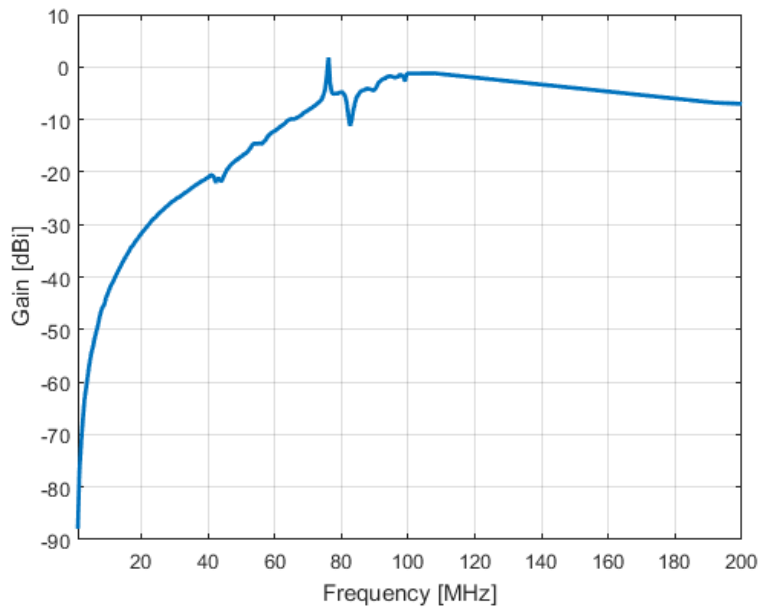
HF Monitoring Whip

9 kHz – 200 MHz

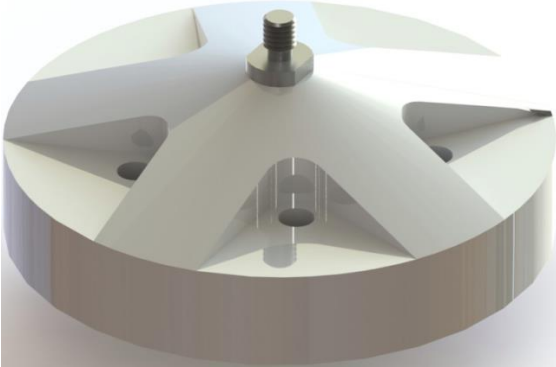

Product Code: MONO-A0089

VERSION: 1.2

Gain:



Spare parts:

	White	Other colours
<p>Base</p> 	MONO-A0089-02	MONO-A0089-03
<p>Whip</p> 		MONO-A0089-05